

STONNINGTON PLANNING SCHEME - LOCAL PROVISION



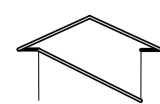
This publication is copyright. No part may be reproduced by any process except in accordance with the provisions of the Copyright Act. © State of Victoria.

This map should be read in conjunction with additional Planning Overlay Maps (if applicable) as indicated on the INDEX TO MAPS.

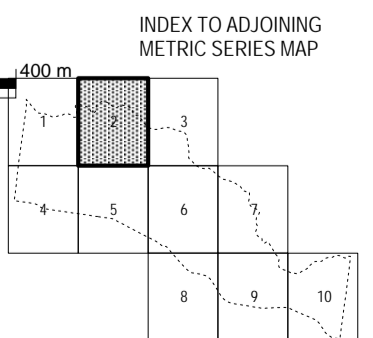
Overlays
NCO4 Neighbourhood Character Overlay - Schedule 4



PREPARED BY: Planning Mapping Services



Environment,
Land, Water
and Planning



Printed: 8/4/2016

AMENDMENT C185 PART 2